


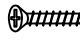
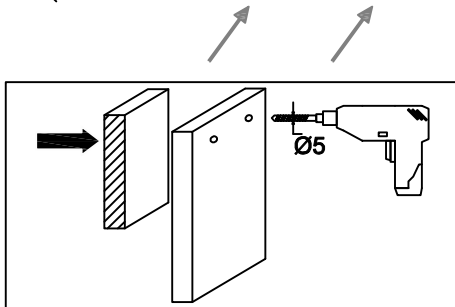
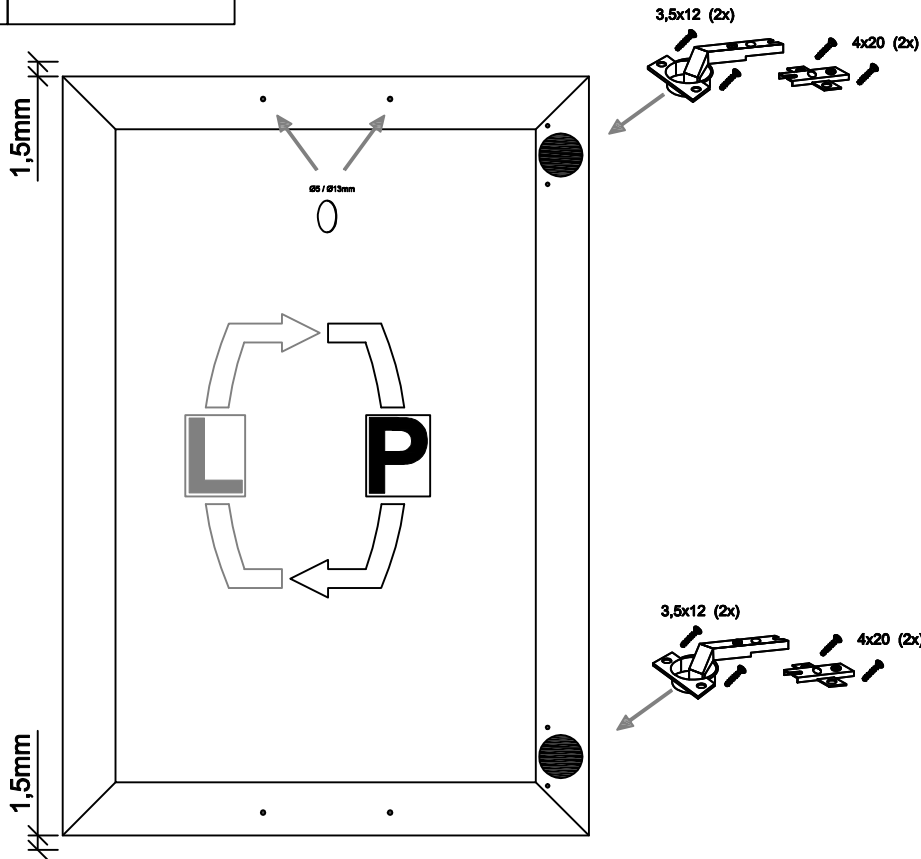
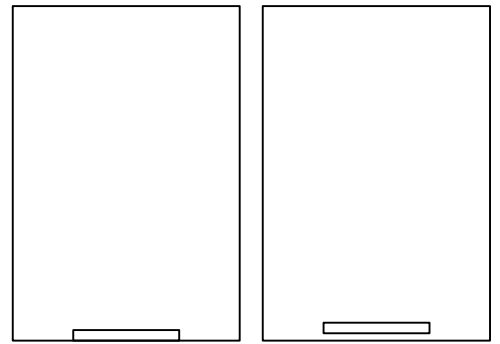
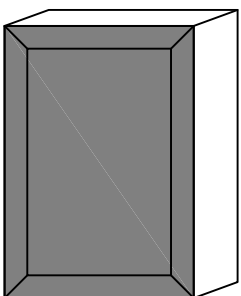


F27 1D450 SKLO

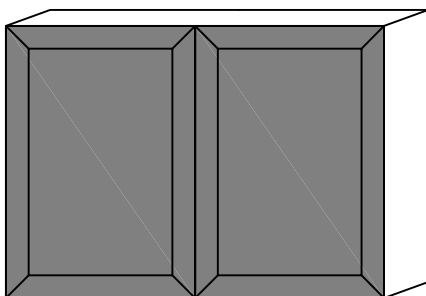
M	x2	J	x4
		$\varnothing 5 / \varnothing 13\text{mm}$	
P	x4	S	x4
3,5x12mm		4x20mm	
			



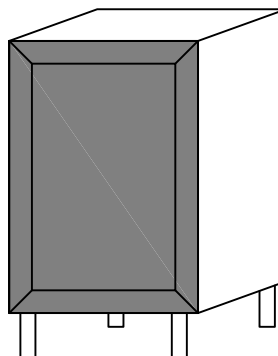
K11 HS450
V:720



K13 HS900
V:720



K5 DS450



K7 DS900

